



3相场效应晶体管预驱动器

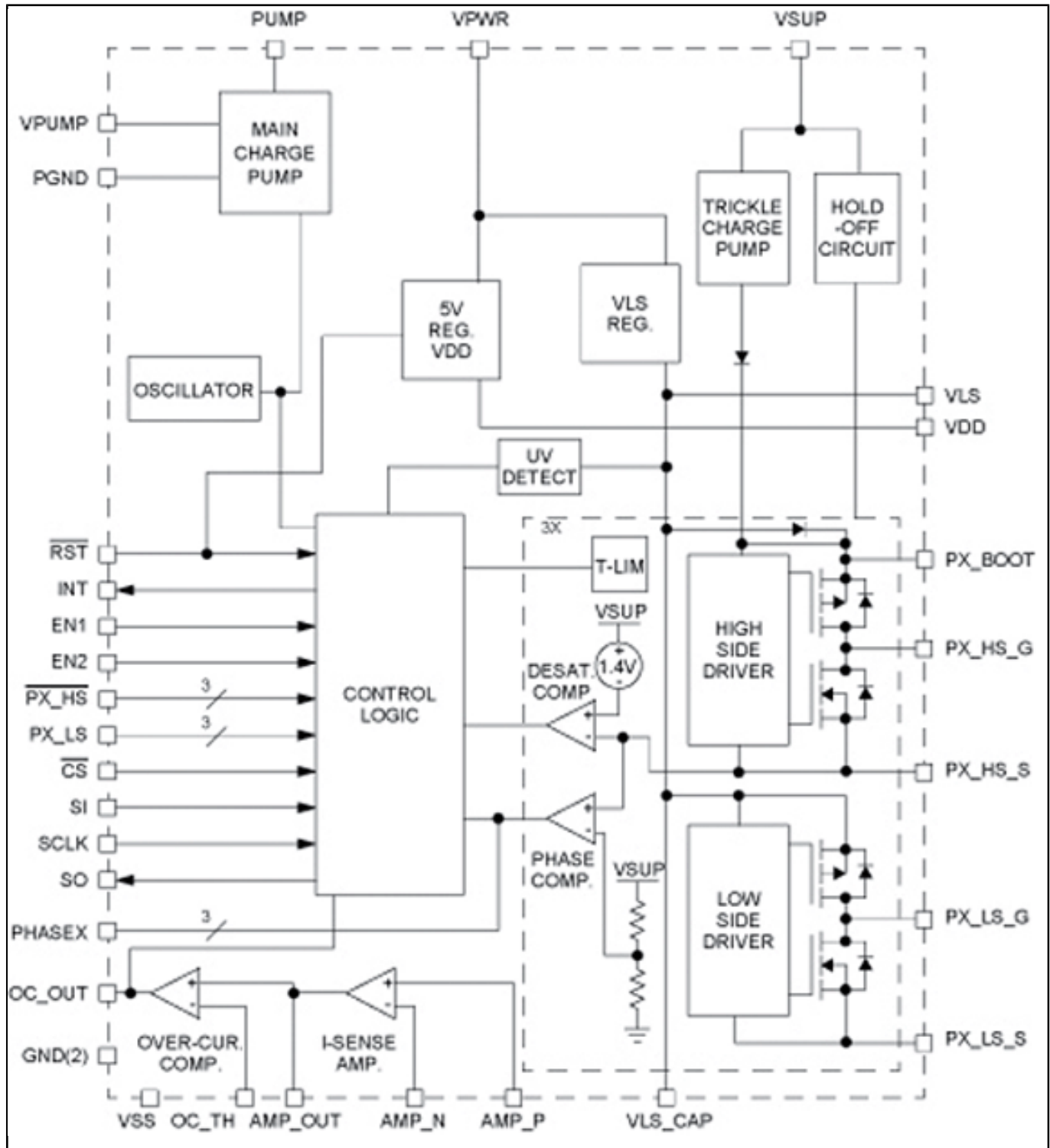
MC33937

Last Updated: Jul 20, 2023

恩智浦®MC33937A是一款场效应晶体管(FET)预驱动器，专为3相电机控制和类似应用而设计。

- 该集成电路(IC)采用SMARTMOS®技术
- 该IC包含3个高边FET预驱动器和3个低边FET预驱动器
- 3个外部自举电容可为高边FET提供栅极电荷
- 该IC通过6个直接输入控制信号、一个用于设备设置和异步复位的SPI端口以及使能和中断信号与MCU相连接
- 可接受5.0V和3.0V逻辑电平输入，并提供5.0V的逻辑电平输出
- 面向MC33937的Processor Expert®组件能够帮助您快速完成嵌入式应用的开发

MC34937 电源启动 Block Diagram



View additional information for [3相场效应晶体管预驱动器](#).

Note: The information on this document is subject to change without notice.

www.nxp.com

NXP and the NXP logo are trademarks of NXP B.V. All other product or service names are the property of their respective owners. The related technology may be protected by any or all of patents, copyrights, designs and trade secrets. All rights reserved. © 2024 NXP B.V.