



EdgeLock® SE051W: Secure Element for Secure UWB Ranging in IoT

SE051W

Last Updated: Apr 15, 2024

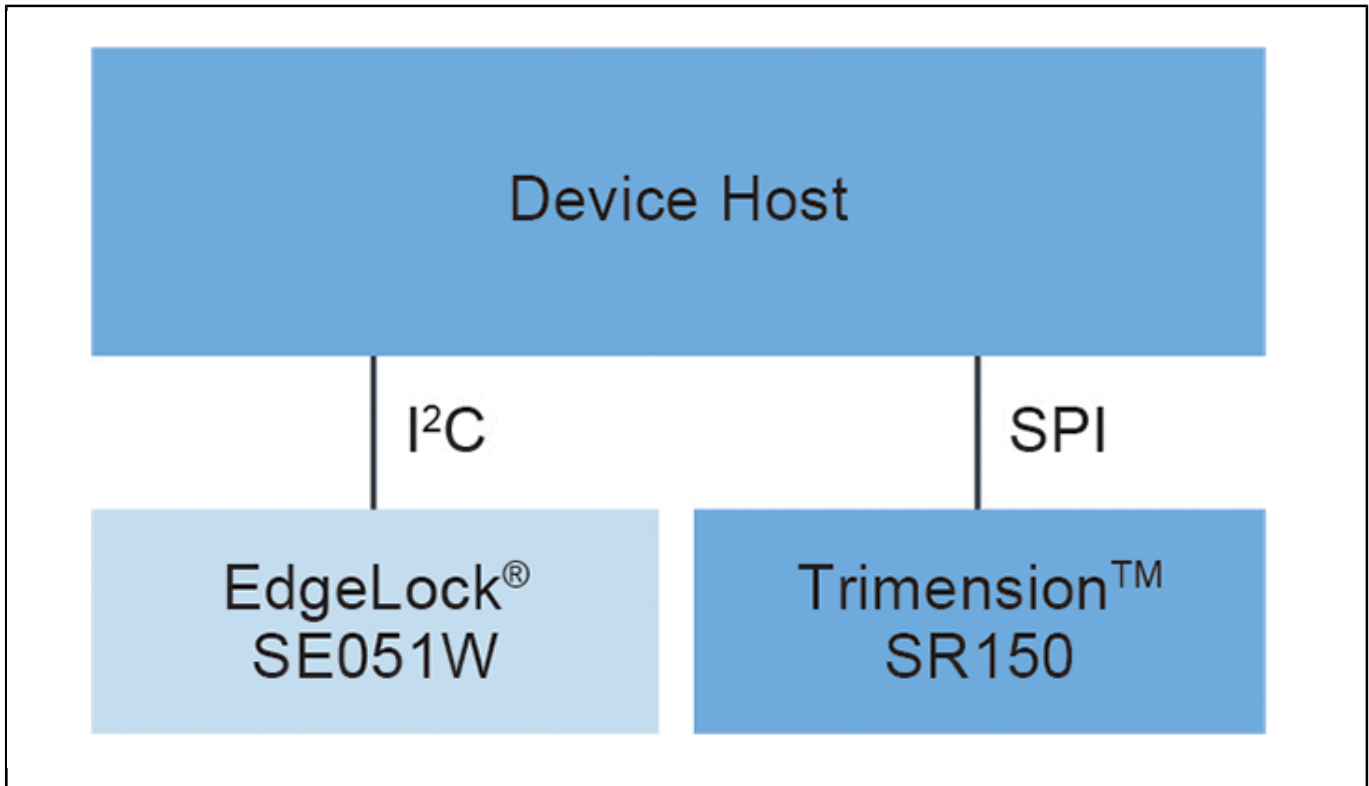
NXP simplifies the development of secure UWB solutions with NXP's [Trimension™ SR150](#) by offering pre-integration with the EdgeLock SE051W secure element.

EdgeLock SE051W comes with the necessary crypto routines for secure ranging and IoT security. It securely stores the credentials for secure binding and secure ranging. A dedicated middleware package is provided on top for easy integration with Trimension SR150 in the host system. EdgeLock SE051W can also be shared with other IoT applications running in the device, such as secure cloud onboarding, device-to-device authentication, device integrity protection, attestation and proof-of-origin.

Certified EdgeLock Assurance

The EdgeLock SE051W, part of the [Certified EdgeLock Assurance](#) program, is designed to meet industry standards and follows NXP's security-by-design approach. It has been certified by an independent lab.

EdgeLock SE051W Block Diagram Block Diagram



View additional information for [EdgeLock® SE051W: Secure Element for Secure UWB Ranging in IoT](#).

Note: The information on this document is subject to change without notice.

www.nxp.com

NXP and the NXP logo are trademarks of NXP B.V. All other product or service names are the property of their respective owners. The related technology may be protected by any or all of patents, copyrights, designs and trade secrets. All rights reserved. © 2024 NXP B.V.